

BS EN 10217-7:2014



BSI Standards Publication

Welded steel tubes for pressure purposes — Technical delivery conditions

Part 7: Stainless steel tubes

bsi.

...making excellence a habit.™

National foreword

This British Standard is the UK implementation of EN 10217-7:2014. It supersedes BS EN 10217-7:2005 which is withdrawn.

The UK participation in its preparation was entrusted to Technical Committee ISE/110, Steel Tubes, and Iron and Steel Fittings.

A list of organizations represented on this committee can be obtained on request to its secretary.

This publication does not purport to include all the necessary provisions of a contract. Users are responsible for its correct application.

© The British Standards Institution 2014.

Published by BSI Standards Limited 2014

ISBN 978 0 580 68651 1

ICS 23.040.10; 77.140.75

Compliance with a British Standard cannot confer immunity from legal obligations.

This British Standard was published under the authority of the Standards Policy and Strategy Committee on 31 October 2014.

Amendments/corrigenda issued since publication

Date	Text affected
------	---------------

English Version

Welded steel tubes for pressure purposes - Technical delivery conditions - Part 7: Stainless steel tubes

Tubes soudés en acier pour service sous pression -
Conditions techniques de livraison - Partie 7: Tubes en
aciers inoxydables

Geschweißte Stahlrohre für Druckbeanspruchungen -
Technische Lieferbedingungen - Teil 7: Rohre aus
nichtrostenden Stählen

This European Standard was approved by CEN on 6 September 2014.

CEN members are bound to comply with the CEN/CENELEC Internal Regulations which stipulate the conditions for giving this European Standard the status of a national standard without any alteration. Up-to-date lists and bibliographical references concerning such national standards may be obtained on application to the CEN-CENELEC Management Centre or to any CEN member.

This European Standard exists in three official versions (English, French, German). A version in any other language made by translation under the responsibility of a CEN member into its own language and notified to the CEN-CENELEC Management Centre has the same status as the official versions.

CEN members are the national standards bodies of Austria, Belgium, Bulgaria, Croatia, Cyprus, Czech Republic, Denmark, Estonia, Finland, Former Yugoslav Republic of Macedonia, France, Germany, Greece, Hungary, Iceland, Ireland, Italy, Latvia, Lithuania, Luxembourg, Malta, Netherlands, Norway, Poland, Portugal, Romania, Slovakia, Slovenia, Spain, Sweden, Switzerland, Turkey and United Kingdom.



EUROPEAN COMMITTEE FOR STANDARDIZATION
COMITÉ EUROPÉEN DE NORMALISATION
EUROPÄISCHES KOMITEE FÜR NORMUNG

CEN-CENELEC Management Centre: Avenue Marnix 17, B-1000 Brussels

Contents

Foreword.....	4
1 Scope	5
2 Normative references	5
3 Terms and definitions	6
4 Symbols	7
5 Classification and designation	7
5.1 Classification.....	7
5.2 Designation	7
6 Information to be supplied by the purchaser	7
6.1 Mandatory information	7
6.2 Options	7
6.3 Examples of an order	9
7 Manufacturing process	9
7.1 Steelmaking process	9
7.2 Tube manufacture and delivery conditions	9
8 Requirements	11
8.1 General.....	11
8.2 Chemical composition	12
8.3 Mechanical properties	15
8.4 Corrosion resistance	21
8.5 Appearance and internal soundness.....	21
8.6 Straightness	22
8.7 Preparation of ends	22
8.8 Dimensions, masses and tolerances.....	23
9 Inspection	25
9.1 Type of inspection	25
9.2 Inspection documents.....	25
9.3 Summary of inspection and verification testing	26
10 Sampling.....	26
10.1 Test unit.....	26
10.2 Preparation of samples and test pieces	28
11 Verification test methods	29
11.1 Chemical analysis.....	29
11.2 Tensile test on the base material	29
11.3 Transverse tensile test on the weld	30
11.4 Technological tests	30
11.5 Weld bend test	31
11.6 Impact test	31
11.7 Intergranular corrosion test.....	32
11.8 Leak tightness test	32
11.9 Dimensional inspection	33
11.10 Visual examination	33
11.11 Non-destructive testing.....	33
11.12 Material identification	33
11.13 Retests, sorting and reprocessing.....	34
12 Marking	34
12.1 Marking to be applied.....	34
12.2 Additional marking	34
13 Handling and packaging	34
Annex A (informative) Technical changes from the previous edition.....	35
A.1 Introduction.....	35

A.2	Technical changes	35
Annex ZA (informative)	Relationship between this European Standard and the Essential Requirements of EU Directive 97/23/EC	36

Foreword

This document (EN 10217-7:2014) has been prepared by Technical Committee ECISS/TC 110 “Steel tubes, and iron and steel fittings”, the secretariat of which is held by UNI.

This European Standard shall be given the status of a national standard, either by publication of an identical text or by endorsement, at the latest by April 2015 and conflicting national standards shall be withdrawn at the latest by April 2015.

Attention is drawn to the possibility that some of the elements of this document may be the subject of patent rights. CEN [and/or CENELEC] shall not be held responsible for identifying any or all such patent rights.

This document supersedes EN 10217-7:2005.

This document has been prepared under a mandate given to CEN by the European Commission and the European Free Trade Association, and supports essential requirements of EU Directive 97/23/EC.

For relationship with EU Directive, see informative Annex ZA, which is an integral part of this document.

This European Standard consists of the following parts, under the general title *Welded steel tubes for pressure purposes – Technical delivery conditions*:

Part 1: Electric welded and submerged arc welded non-alloy steel tubes with specified room temperature properties

Part 2: Electric welded non-alloy and alloy steel tubes with specified elevated temperature properties

Part 3: Electric welded and submerged arc welded alloy fine grain steel tubes with specified room, elevated and low temperature properties

Part 4: Electric welded non-alloy and alloy steel tubes with specified low temperature properties

Part 5: Submerged arc welded non-alloy and alloy steel tubes with specified elevated temperature properties

Part 6: Submerged arc welded non-alloy steel tubes with specified low temperature properties

Part 7: Stainless steel tubes

Another European Standard series covering tubes for pressure purposes is:

EN 10216, *Seamless steel tubes for pressure purposes*.

According to the CEN-CENELEC Internal Regulations, the national standards organizations of the following countries are bound to implement this European Standard: Austria, Belgium, Bulgaria, Croatia, Cyprus, Czech Republic, Denmark, Estonia, Finland, Former Yugoslav Republic of Macedonia, France, Germany, Greece, Hungary, Iceland, Ireland, Italy, Latvia, Lithuania, Luxembourg, Malta, Netherlands, Norway, Poland, Portugal, Romania, Slovakia, Slovenia, Spain, Sweden, Switzerland, Turkey and the United Kingdom.

1 Scope

This Part of EN 10217 specifies the technical delivery conditions in two test categories for welded tubes of circular cross-section made of austenitic and austenitic-ferritic stainless steel which are intended for pressure and corrosion resisting purposes at room temperature, at low temperatures or at elevated temperatures.

NOTE Once this standard is published in the Official Journal of the European Union (OJEU) under Directive 97/23/EC, pressure equipment directive, presumption of conformity to the Essential Safety Requirements (ESR) of Directive 97/23/EC is limited to technical data of materials in this standard and does not presume adequacy of the material to a specific item of equipment. Consequently, the assessment of the technical data stated in this material standard against the design requirements of this specific item of equipment to verify that the ESRs of the Pressure Equipment Directive are satisfied, needs to be done by the designer or manufacturer of the pressure equipment, taking also into account the subsequent manufacturing processes which may affect properties of the base materials.

2 Normative references

The following documents, in whole or in part, are normatively referenced in this document and are indispensable for its application. For dated references, only the edition cited applies. For undated references, the latest edition of the referenced document (including any amendments) applies.

EN 10020, *Definition and classification of grades of steel*

EN 10021, *General technical delivery conditions for steel products*

EN 10027-1, *Designation systems for steels - Part 1: Steel names*

EN 10027-2, *Designation systems for steels - Part 2: Numerical system*

EN 10028-7:2007, *Flat products made of steels for pressure purposes - Part 7: Stainless steels*

EN 10052, *Vocabulary of heat treatment terms for ferrous products*

EN 10088-1, *Stainless steels - Part 1: List of stainless steels*

EN 10168:2004, *Steel products - Inspection documents - List of information and description*

EN 10204:2004, *Metallic products - Types of inspection documents*

EN 10266, *Steel tubes, fittings and structural hollow sections - Symbols and definitions of terms for use in product standards*

CEN/TR 10261, *Iron and steel - European standards for the determination of chemical composition*

EN ISO 148-1:2010, *Metallic materials - Charpy pendulum impact test - Part 1: Test method (ISO 148-1:2009)*

EN ISO 377:2013, *Steel and steel products - Location and preparation of samples and test pieces for mechanical testing (ISO 377:2013)*

EN ISO 1127, *Stainless steel tubes - Dimensions, tolerances and conventional masses per unit length (ISO 1127)*

EN ISO 2566-2, *Steel - Conversion of elongation values - Part 2: Austenitic steels (ISO 2566-2)*

EN ISO 3651-2:1998, *Determination of resistance to intergranular corrosion of stainless steels - Part 2: Ferritic, austenitic and ferritic-austenitic (duplex) stainless steels - Corrosion test in media containing sulfuric acid (ISO 3651-2:1998)*

EN ISO 5173:2010, *Destructive tests on welds in metallic materials - Bend tests (ISO 5173:2009)*

EN ISO 6892-1:2009, *Metallic materials - Tensile testing - Part 1: Method of test at room temperature (ISO 6892-1:2009)*

BS EN 10217-7:2014
EN 10217-7:2014 (E)

EN ISO 6892-2:2011, *Metallic materials - Tensile testing - Part 2: Method of test at elevated temperature (ISO 6892-2:2011)*

EN ISO 8492:2013, *Metallic materials - Tube - Flattening test (ISO 8492:2013)*

EN ISO 8493:2004, *Metallic materials - Tube - Drift-expanding test (ISO 8493:1998)*

EN ISO 8495:2013, *Metallic materials - Tube - Ring-expanding test (ISO 8495:2013)*

EN ISO 8496:2013, *Metallic materials - Tube - Ring tensile test (ISO 8496:2013)*

EN ISO 9712:2012, *Non-destructive testing - Qualification and certification of NDT personnel (ISO 9712:2012)*

EN ISO 10893-1, *Non-destructive testing of steel tubes - Part 1: Automated electromagnetic testing of seamless and welded (except submerged arc-welded) steel tubes for the verification of hydraulic leaktightness (ISO 10893-1)*

EN ISO 10893-2, *Non-destructive testing of steel tubes - Part 2: Automated eddy current testing of seamless and welded (except submerged arc-welded) steel tubes for the detection of imperfections (ISO 10893-2)*

EN ISO 10893-6, *Non-destructive testing of steel tubes - Part 6: Radiographic testing of the weld seam of welded steel tubes for the detection of imperfections (ISO 10893-6)*

EN ISO 10893-7, *Non-destructive testing of steel tubes - Part 7: Digital radiographic testing of the weld seam of welded steel tubes for the detection of imperfections (ISO 10893-7)*

EN ISO 10893-8, *Non-destructive testing of steel tubes - Part 8: Automated ultrasonic testing of seamless and welded steel tubes for the detection of laminar imperfections (ISO 10893-8)*

EN ISO 10893-9, *Non-destructive testing of steel tubes - Part 9: Automated ultrasonic testing for the detection of laminar imperfections in strip/plate used for the manufacture of welded steel tubes (ISO 10893-9)*

EN ISO 10893-10, *Non-destructive testing of steel tubes - Part 10: Automated full peripheral ultrasonic testing of seamless and welded (except submerged arc-welded) steel tubes for the detection of longitudinal and/or transverse imperfections (ISO 10893-10)*

EN ISO 10893-11, *Non-destructive testing of steel tubes - Part 11: Automated ultrasonic testing of the weld seam of welded steel tubes for the detection of longitudinal and/or transverse imperfections (ISO 10893-11)*

EN ISO 14284:2002, *Steel and iron - Sampling and preparation of samples for the determination of chemical composition (ISO 14284:1996)*

ISO 11484:2009, *Steel products — Employer's qualification system for non-destructive testing (NDT) personnel*

ISO 857-1:1998, *Welding and allied processes — Vocabulary — Part 1: Metal welding processes*

3 Terms and definitions

For the purpose of this document, the terms and definitions given in EN 10020, EN 10021, EN 10052 and EN 10266 and the following apply.

3.1 test category
classification that indicates the extent and level of inspection and testing

3.2 employer
organization for which a person works on a regular basis

Note 1 to entry: The employer may be either the tube manufacturer or supplier or a third party organization providing Non-Destructive Testing (NDT) services.

4 Symbols

For the purpose of this document, the symbols given in EN 10266 and the following apply.

TC test category.

NOTE See also Table 2 for symbols of the delivery condition.

5 Classification and designation

5.1 Classification

According to the classification system in EN 10020, the steel grades are classified as:

- austenitic steels (corrosion resisting);
- austenitic-ferritic steels.

5.2 Designation

For the tubes covered by this Part of EN 10217 the steel designation consists of:

- the number of this Part of EN 10217 (EN 10217-7);

plus either:

- the steel name according to EN 10027-1;

or:

- the steel number allocated according to EN 10027-2.

6 Information to be supplied by the purchaser

6.1 Mandatory information

The following information shall be supplied by the purchaser at the time of enquiry and order:

- a) the quantity (mass or total length or number);
- b) the term "tube";
- c) the dimensions (outside diameter D and wall thickness T) (see 8.8.1);
- d) the designation of the steel grade according to this Part of EN 10217 (see 5.2);
- e) the test category (see 9.3).

6.2 Options

A number of options are specified in this Part of EN 10217 and these are listed below. In the event that the purchaser does not indicate a wish to implement any of these options at the time of enquiry and order, the tube shall be supplied in accordance with the basic specification (see 6.1).

- 1) Information about steelmaking process (see 7.1);
- 2) Tube manufacturing process and/or route (see 7.2.1);

- 3) The inside weld is re-melted (see Table 1);
- 4) The inside weld is worked by rolling, re-melting or grinding (see Table 1);
- 5) Delivery condition (see 7.2.3);
- 6) Product analysis (see 8.2.2);
- 7) Additional verifications of mechanical properties on samples that have undergone a different or additional heat treatment (see 8.3.1);
- 8) Verification of impact energy at room temperature (see 8.3.1);
- 9) Agreed mechanical properties at room temperature for austenitic steel tubes with wall thicknesses greater than 60 mm (see Table 6, footnote a);
- 10) Agreed proof strength at elevated temperatures for austenitic steel tubes with wall thicknesses greater than 60 mm (see Table 8, footnote a);
- 11) Verification of proof strength $R_{p0,2}$ or $R_{p1,0}$ at elevated temperatures (see 8.3.2);
- 12) Verification of impact energy at low temperature (see 8.3.3);
- 13) Intergranular corrosion test (see 8.4);
- 14) Repair welding (see 8.5.1.5);
- 15) Selection of method for verification of leak-tightness test method (see 8.5.2.2);
- 16) Non-destructive testing of tube ends for detection of laminar imperfections (see 8.5.2.3);
- 17) Non-destructive testing of strip and plate edges for detection of laminar imperfections (see 8.5.2.3);
- 18) Special ends preparation (see 8.7);
- 19) Exact lengths (see 8.8.3);
- 20) Tolerance class D 4 for $D \leq 168,3$ mm (see Table 10);
- 21) The type of inspection certificate 3.2 in place of the standard document (see 9.2.1);
- 22) Transverse tensile test on the weld (see 10.2.2.3);
- 23) Test pressure for hydrostatic leak-tightness test (see 11.8.1);
- 24) Wall thickness measurement away from the ends (see 11.9);
- 25) Selection of non-destructive testing method for the inspection of the weld seam (see Table 16);
- 26) Image quality class B of EN ISO 10893-6 for the radiographic inspection of the weld seam (see Table 16);
- 27) Additional marking (see 12.2);
- 28) Special protection (see 13);
- 29) Image quality class B of EN ISO 10893-7 for the digital radiographic testing of the weld (see Table 16).

6.3 Examples of an order

6.3.1 Example 1

2000 m of welded tube W1 (see Table 2) with an outside diameter of 168,3 mm, a wall thickness of 4,5 mm, tolerance classes D 3 and T 3, in accordance with this Part of EN 10217, made of steel grade X2CrNi19-11, test category 1, with a 3.1 inspection certificate according to EN 10204:

EXAMPLE 2000 m - Tube – 168,3 × 4,5 - EN 10217-7- X2CrNi19-11 – TC 1 – Option 5: W1

6.3.2 Example 2

300 m of cold finished welded tube WCA (see Table 2) with an outside diameter of 42,4 mm, a wall thickness of 2,6 mm, tolerance classes D 3 and T 3, in accordance with this Part of EN 10217, made of steel grade 1.4301, test category 2, with intergranular corrosion test (EN ISO 3651-2, method A), verification of proof strength at 300 °C, non-destructive testing of strip edges for detection of laminar imperfections, with a 3.2 inspection certificate according to EN 10204 issued by the manufacturer:

EXAMPLE 300 m - Tube – 42,4 × 2,6 - EN 10217-7 — 1.4301 – TC 2 – Option 5: WCA - Option 11: 300 ° C - Option 13: A – Option 17 - Option 21: 3.2 (to be issued by the manufacturer)

7 Manufacturing process

7.1 Steelmaking process

The steelmaking process is at the discretion of the manufacturer, but see Option 1.

Option 1: *The purchaser shall be informed about the steelmaking process used. The process shall be reported in the inspection document.*

7.2 Tube manufacture and delivery conditions

7.2.1 The tubes shall be manufactured from hot or cold rolled plate, sheet or strip in accordance with EN 10028-7. They shall be longitudinally welded by fusion across the abutting edges using either an arc welding or a laser welding or an electron beam welding process, or a combination thereof. The definitions of these respective fusion welding methods are given in 4.2 of ISO 857-1:1998. Welding can be performed with or without the addition of filler metal in accordance with one of the routes as specified in Table 1.

Unless Option 2 is specified, the manufacturing process and/or route are at the discretion of the manufacturer.

Option 2: *The tube manufacturing process and/or route is specified by the purchaser.*

The finished tubes shall not include welds used for joining together lengths of the hot or cold rolled strip prior to forming.

Option 3: *(see Table 1).*

Option 4: *(see Table 1).*

7.2.2 Welding shall be carried out by qualified personnel in accordance with operating procedures. When tubes are being used for pressure equipment in categories II, III, and IV, (of Directive 97/23/EC) the operating procedures and the personnel shall be approved by a notified body in accordance with Article 12 or recognised third party organization in accordance with Article 13 of the Directive.

Table 1 - Tube manufacturing process, route, starting material, forming operation and weld condition

1	2	3	4	5
Route	Manufacturing process ^a	Starting material	Forming operation	Weld condition ^b
01	Arc welding	Hot or cold rolled strip	Continuous forming from strip	As welded ^{c e}
02				Welded, outside ground ^{c e} or bead worked [*]
03				Welded, bead worked [*]
04	Laser welding	Hot or cold rolled strip	Continuous forming from strip	Welded, outside ground ^c or bead worked [*]
05	Arc welding	Hot or cold rolled plate or sheet	Single forming from plate or sheet	As welded ^{d, e}
06	Laser welding and arc welding ^{**}	Hot or cold rolled plate or sheet	Single forming from plate or sheet	As welded ^{d, e}
07	Electron beam welding ^{**} and arc welding	Hot or cold rolled plate or sheet	Single forming from plate or sheet	As welded ^{d, e}
<p>* Bead worked = bead rolled or bead hammered</p> <p>** For these tubes, i.e. tubes welded from plate or sheet, the laser welding and the electron beam welding processes are normally used in combination with an arc welding process.</p> <p>^a Tubes with outside diameter not exceeding 168,3 mm may additionally be brought to the required tube dimensions by cold working^b (see type of condition WCA and WCR in Table 2).</p> <p>^b The terms "as-welded", "welded, outside ground", "bead worked" and "cold working" apply to the condition of the tube before heat treatment if required in accordance with Table 2.</p> <p>^c On request, the inside weld can be remelted. Option 3: <i>The inside weld is remelted.</i></p> <p>^d On request, the inside weld can be worked by rolling or remelting. Option 4: <i>The inside weld is worked by rolling or remelting.</i></p> <p>^e The weld seam can be welded using one or more separate layers.</p>				

7.2.3 The types of delivery condition of the tubes are shown in Table 2. Unless Option 5 is specified, the selection of type of delivery condition is at the discretion of the manufacturer.

Option 5: *The type of delivery condition is specified by the purchaser.*

Table 2 - Delivery conditions

Symbol	Type of delivery condition ^a	Surface condition
W0 ^b	Welded from hot or cold rolled plate, sheet or strip 1D, 2D, 2E, 2B	As welded
W1 ^b	Welded from hot rolled plate, sheet or strip 1D, descaled	Metallically clean
W1A ^b	Welded from hot rolled plate, sheet or strip 1D, heat treated, descaled	Metallically clean
W1R ^b	Welded from hot rolled plate, sheet or strip 1D, bright annealed.	Metallically bright
W2 ^b	Welded from cold rolled plate, sheet or strip 2D, 2E, 2B, descaled	Metallically clean
W2A ^b	Welded from cold rolled plate, sheet or strip 2D, 2E, 2B, heat treated, descaled	Except for the weld, essentially smoother than for types W1 and W1A
W2R ^b	Welded from cold rolled plate, sheet or strip 2D, 2E, 2B, bright annealed	Metallically bright
WCA	Welded from hot rolled or cold rolled plate, sheet or strip 1D, 2D, 2E, 2B, heat treated if appropriate, at least 20 % cold formed, heat treated, with re-crystallized weld metal, descaled	Metallically clean, weld scarcely recognizable
WCR	Welded from hot rolled or cold rolled plate, sheet or strip 1D, 2D, 2E, 2B, heat treated if appropriate, at least 20 % cold formed, bright annealed, with re-crystallized weld metal	Metallically bright, weld scarcely recognizable
WG	Ground ^c	Metallically bright-ground, the type and degree of grinding shall be agreed at the time of enquiry and order ^d
WP	Polished ^c	Metallically bright-polished, the type and degree of polishing shall be agreed at the time of enquiry and order ^d
<p>^a Symbols of flat products according to EN 10028-7.</p> <p>^b For tubes ordered with smoothed welds ("bead worked") letter "b" shall be appended to the symbol of the type of the condition (e. g. W2Ab).</p> <p>^c Conditions W2, W2A, W2R, WCA or WCR are usually used as the starting condition.</p> <p>^d It should be indicated in the enquiry and order whether grinding or polishing is to be performed internally or externally, or internally and externally.</p>		

8 Requirements

8.1 General

When supplied in a delivery condition indicated in 7.2.3 and inspected according to Clauses 9, 10 and 11, the tubes shall conform to the requirements of this Part of EN 10217. In addition, the general technical delivery requirements specified in EN 10021 shall apply.

8.2 Chemical composition

8.2.1 Cast analysis

The cast analysis reported by the steel manufacturer shall apply and conform to the requirements of Table 3 for austenitic steel and of Table 4 for austenitic-ferritic steel.

When welding tubes produced according to this Part of EN 10217, account should be taken of the fact that the behaviour of the steel during and after welding is dependent not only on the steel, but also on the applied heat treatment and the conditions of preparing for and carrying out the welding.

8.2.2 Product analysis

Option 6: *Product analysis for the tubes shall be supplied.*

Table 5 specifies the permissible deviation of the product analysis from the specified limits on cast analysis given in Tables 3 and 4.

Table 3 - Chemical composition (cast analysis)^a of austenitic steels, in % by mass

Steel grade		C max	Si max	Mn max	P max	S max	N	Cr	Cu	Mo	Ni	Others
Steel name	Steel number											
X2CrNi18-9	1.4307	0,030	1,00	2,00	0,045 ^b	0,015 ^b	≤ 0,10	17,5 to 19,5	–	–	8,0 to 10,5	–
X2CrNi19-11	1.4306	0,030	1,00	2,00	0,045 ^b	0,015 ^b	≤ 0,10	18,0 to 20,0	–	–	10,0 to 12,0	–
X2CrNiN18-10	1.4311	0,030	1,00	2,00	0,045 ^b	0,015 ^b	0,12 to 0,22	17,5 to 19,5	–	–	8,5 to 11,5	–
X5CrNi18-10	1.4301	0,07	1,00	2,00	0,045 ^b	0,015 ^b	≤ 0,10	17,5 to 19,5	–	–	8,0 to 10,5	–
X6CrNiTi18-10	1.4541	0,08	1,00	2,00	0,045 ^b	0,015 ^b	–	17,0 to 19,0	–	–	9,0 to 12,0	Ti 5xC to 0,70
X6CrNiNb18-10	1.4550	0,08	1,00	2,00	0,045 ^b	0,015 ^b	–	17,0 to 19,0	–	–	9,0 to 12,0	Nb 10xC to 1,00
X2CrNiMo17-12-2	1.4404	0,030	1,00	2,00	0,045 ^b	0,015 ^b	≤ 0,10	16,5 to 18,5	–	2,00 to 2,50	10,0 to 13,0	–
X5CrNiMo17-12-2	1.4401	0,07	1,00	2,00	0,045 ^b	0,015 ^b	≤ 0,10	16,5 to 18,5	–	2,00 to 2,50	10,0 to 13,0	–
X6CrNiMoTi17-12-2	1.4571	0,08	1,00	2,00	0,045 ^b	0,015 ^b	–	16,5 to 18,5	–	2,00 to 2,50	10,5 to 13,5	Ti 5xC to 0,70
X2 CrNiMo17-12-3	1.4432	0,030	1,00	2,00	0,045 ^b	0,015 ^b	≤ 0,10	16,5 to 18,5	–	2,50 to 3,0	10,5 to 13,0	–
X2CrNiMoN17-13-3	1.4429	0,030	1,00	2,00	0,045 ^b	0,015 ^b	0,12 to 0,22	16,5 to 18,5	–	2,50 to 3,0	11,0 to 14,0	–
X3CrNiMo17-13-3	1.4436	0,05	1,00	2,00	0,045 ^b	0,015 ^b	≤ 0,10	16,5 to 18,5	–	2,50 to 3,0	10,5 to 13,0	–
X2CrNiMo18-14-3	1.4435	0,030	1,00	2,00	0,045 ^b	0,015 ^b	≤ 0,10	17,0 to 19,0	–	2,50 to 3,0	12,5 to 15,0	–
X2CrNiMoN17-13-5	1.4439	0,030	1,00	2,00	0,045 ^b	0,015 ^b	0,12 to 0,22	16,5 to 18,5	–	4,0 to 5,0	12,5 to 14,5	–
X2CrNiMo18-15-4	1.4438	0,030	1,00	2,00	0,045 ^b	0,015 ^b	≤ 0,10	17,5 to 19,5	–	3,0 to 4,0	13,0 to 16,0	–
X1NiCrMoCu31-27-4	1.4563	0,020	0,70	2,00	0,030	0,010	≤ 0,10	26,0 to 28,0	0,70 to 1,50	3,0 to 4,0	30,0 to 32,0	–
X1NiCrMoCu25-20-5	1.4539	0,020	0,70	2,00	0,030	0,010	≤ 0,15	19,0 to 21,0	1,20 to	4,0 to	24,0 to 26,0	–

Steel grade		C max	Si max	Mn max	P max	S max	N	Cr	Cu	Mo	Ni	Others
Steel name	Steel number											
									2,00	5,0		
X1CrNiMoCuN20-18-7	1.4547	0,020	0,70	1,00	0,030	0,010	0,18 to 0,25	19,5 to 20,5	0,50 to 1,00	6,0 to 7,0	17,5 to 18,5	–
X1NiCrMoCuN25-20-7	1.4529	0,020	0,50	1,00	0,030	0,010	0,15 to 0,25	19,0 to 21,0	0,50 to 1,50	6,0 to 7,0	24,0 to 26,0	–

^a Elements not listed in this table shall not be intentionally added to the steel without the agreement of the purchaser except for finishing the cast. All appropriate precautions are to be taken to avoid the addition of such elements from scrap and other materials used in production which would impair mechanical properties and the suitability of the steel.

^b For tubes welded without filler material the sum of sulphur and phosphorus shall be maximum 0,040 %.

Table 4 - Chemical composition (cast analysis)^a of austenitic-ferritic steels, in % by mass

Steel grade		C max	Si max	Mn max	P ^b max	S ^b max	N	Cr	Cu	Mo	Ni	Others
Steel name	Steel number											
X2CrNiMoN22-5-3	1.4462	0,030	1,00	2,00	0,035	0,015	0,10 to 0,22	21,0 to 23,0	–	2,50 to 3,5	4,5 to 6,5	–
X2CrNiN23-4	1.4362	0,030	1,00	2,00	0,035	0,015	0,05 to 0,20	22,0 to 24,0	0,10 to 0,60	0,10 to 0,60	3,5 to 5,5	–
X2CrNiMoN25-7-4	1.4410	0,030	1,00	2,00	0,035	0,015	0,20 to 0,35	24,0 to 26,0	–	3,0 to 4,5	6,0 to 8,0	–
X2CrNiMoCuWN25-7-4	1.4501	0,030	1,00	1,00	0,035	0,015	0,20 to 0,30	24,0 to 26,0	0,50 to 1,00	3,0 to 4,0	6,0 to 8,0	W 0,50 to 1,00

^a Elements not listed in this table shall not be intentionally added to the steel without the agreement of the purchaser except for finishing the cast. All appropriate precautions are to be taken to avoid the addition of such elements from scrap and other materials used in production which would impair mechanical properties and the suitability of the steel.

^b For tubes welded without filler material the sum of sulphur and phosphorus shall be maximum 0,040 %.

Table 5 - Permissible deviations of the product analysis from specified limits on cast analysis given in Tables 3 and 4

Element	Limiting value for the cast analysis according to Tables 3 and 4	Permissible deviation of the product analysis ^a
	% by mass	% by mass
Carbon	≤ 0,030	+ 0,005
	> 0,030 to ≤ 0,08	± 0,01
Silicon	≤ 1,00	+ 0,05
Manganese	≤ 1,00	+ 0,03
	> 1,00 to ≤ 2,00	+0,04
Phosphorus	≤ 0,030	+ 0,003
	> 0,030 to ≤ 0,045	+ 0,005
Sulphur	≤ 0,015	+ 0,003
Nitrogen	≤ 0,35	± 0,01
Chromium	≥ 16,5 to ≤ 20,0	± 0,20
	> 20,0 to ≤ 28,0	± 0,25
Copper	≤ 1,00	± 0,07
	> 1,00 to ≤ 2,00	± 0,10
Molybdenum	≤ 0,60	± 0,03
	≥ 2,00 to ≤ 7,0	± 0,10
Niobium	≤ 1,00	± 0,05
Nickel	≤ 5,0	± 0,07
	> 5,0 to ≤ 10,0	± 0,10
	> 10,0 to ≤ 20,0	± 0,15
	> 20,0 to ≤ 32,0	± 0,20
Titanium	≤ 0,70	± 0,05
Tungsten	≤ 1,00	± 0,05

^a If several product analyses are carried out on one cast, and the contents of an individual element determined lie outside the permissible range of the chemical composition specified for the cast analysis, then it is only allowed to exceed the permissible maximum value or to fall short of the permissible minimum value, but not both for one cast.

8.3 Mechanical properties

8.3.1 At room temperature

The mechanical properties of the tubes shall conform to the requirements in Tables 6 and 7 and in Clause 11 irrespective of whether they are verified or not (see Table 13).

If heat treatments different from, or additional to, the reference heat treatment, are to be carried out after the delivery of the tubes, the purchaser may request, at the time of enquiry and order, additional mechanical tests on samples, that have been given heat treatments different from or additional to, those given in Tables 6 and 7. The heat treatment of the samples and the mechanical properties to be obtained from tests on them shall be agreed between the purchaser and the manufacturer at the time of enquiry and order.

Option 7: Additional mechanical tests on samples, which have undergone a different or additional heat treatment, shall be carried out.

Option 8: Impact test shall be carried out at room temperature (see Tables 6 and 7). The location of the test pieces, either from the weld or opposite to the weld, shall be agreed at the time of enquiry and order.

Option 9: (see Table 6, footnote a).

8.3.2 At elevated temperature

The minimum proof strength $R_{p0,2}$ and $R_{p1,0}$ values at elevated temperatures are specified in Tables 8 and 9.

Option 10: (see Table 8, footnote a).

Option 11: Proof strength $R_{p0,2}$ or $R_{p1,0}$ shall be verified (for austenitic-ferritic steels in Table 9 only $R_{p0,2}$ apply). The test temperature shall be agreed at the time of enquiry and order.

8.3.3 At low temperature

Impact energy values at specified low temperature shall conform to the requirements in Tables 6 and 7.

Option 12: Impact test at low temperature shall be carried out. The location of the test pieces, either from the weld or opposite to the weld, shall be agreed at the time of enquiry and order.

Table 6 - Mechanical properties for wall thicknesses up to 60 mm^a of austenitic steels in the solution annealed condition (+AT) and information about intergranular corrosion

		Tensile properties at room temperature ^b					Impact properties ^b			Reference heat treatment conditions		Resistance to intergranular corrosion	
Steel grade		Proof strength		Tensile strength	Elongation		Minimum average absorbed energy KV_2 J						
		$R_{p0,2}$ min	$R_{p1,0}$ min	R_m^c	A min (%)		at RT		at - 196 °C	Solution temperature ^d	Cooling in ^e	f	Method in EN ISO 3651-2
Steel name	Steel number	MPa	MPa	MPa	l	t	l	t	t				
X2CrNi18-9	1.4307	180	215	470-670	40	35	100	60	60	1 000-1 100	w, a	yes	A
X2CrNi19-11	1.4306	180	215	460-680	40	35	100	60	60	1 000-1 100	w, a	yes	A
X2CrNi18-10	1.4311	270	305	550-760	35	30	100	60	60	1 000-1 100	w, a	yes	A
X5CrNi18-10	1.4301	195	230	500-700	40	35	100	60	60	1 000-1 100	w, a	yes ^g	A
X6CrNiTi18-10	1.4541	200	235	500-730	35	30	100	60	60	1 020-1 120	w, a	yes	A
X6CrNiNb18-10	1.4550	205	240	510-740	35	30	100	60	60	1 020-1 120	w, a	yes	A
X2CrNiMo17-12-2	1.4404	190	225	490-690	40	30	100	60	60	1 020-1 120	w, a	yes	A
X5CrNiMo17-12-2	1.4401	205	240	510-710	40	30	100	60	60	1 020-1 120	w, a	yes ^g	A
X6CrNiMoTi17-12-2	1.4571	210	245	500-730	35	30	100	60	60	1 020-1 120	w, a	yes	A
X2CrNiMo 17-12-3	1.4432	190	225	490-690	40	30	100	60	60	1 020-1 120	w, a	yes	A
X2CrNiMoN17-13-3	1.4429	295	330	580-800	35	30	100	60	60	1 020-1 120	w, a	yes	A
X3CrNiMo17-13-3	1.4436	205	240	510-710	40	30	100	60	60	1 020-1 120	w, a	yes ^g	A
X2CrNiMo18-14-3	1.4435	190	225	490-690	40	30	100	60	60	1 020-1 120	w, a	yes	A
X2CrNiMoN17-13-5	1.4439	285	315	580-800	35	30	100	60	60	1 100-1 140	w, a	yes	C
X2CrNiMo18-15-4	1.4438	220	250	490-690	35	30	100	60	60	1 100-1 160	w, a	yes	C

Table 6 - Mechanical properties for wall thicknesses up to 60 mm^a of austenitic steels in the solution annealed condition (+AT) and information about intergranular corrosion (continued)

		Tensile properties at room temperature ^b					Impact properties ^b			Reference heat treatment conditions		Resistance to intergranular corrosion	
Steel grade		Proof strength		Tensile strength	Elongation		Minimum average absorbed energy KV_2 J						
		$R_{p0,2}$ min	$R_{p1,0}$ min	R_m^c	A min (%)		at RT		at -196 °C	Solution temperature ^d	Cooling in ^e	f	Method in EN ISO 3651-2
Steel name	Steel number	MPa	MPa	MPa	l	t	l	t	t				
X1CrMoCu31-27-4	1.4563	215	245	500-750	40	35	120	90	60	1 100-1 160	w, a	yes	C
X1NiCrMoCu25-20-5	1.4539	220	250	520-720	35	30	120	90	60	1 100-1 150	w, a	yes	C
X1CrNiMoCuN20-18-7	1.4547	300	340	650-850	35	30	100	60	60	1 180-1 230	w, a	yes	C
X1NiCrMoCuN25-20-7	1.4529	300	340	600-800	40	40	120	90	60	1 120-1 180	w, a	yes	C

^a For wall thicknesses greater than 60 mm the mechanical properties are subject to agreement at the time of enquiry and order. **Option 9:** Agreed mechanical properties for wall thicknesses greater than 60 mm apply.

^b l = longitudinal; t = transverse.

^c For the delivery conditions W 0, W 1 and W 2 which do not include solution annealing, the upper R_m limit may be exceeded by 70 MPa.

^d The maximum temperatures are for guidance only.

^e w = water; a = air; cooling sufficiently rapid.

^f When tested according to EN ISO 3651-2 (Appropriate method, A or B or C, as indicated) up to the limit temperatures indicated in the last column of Table 8.

^g In delivery condition. (Normally not fulfilled in the sensitized condition).

Table 7 - Mechanical properties for wall thicknesses up to 30 mm of austenitic-ferritic steels in the solution annealed condition (+AT) and information about intergranular corrosion

		Tensile properties at room temperature ^a				Impact properties ^a			Reference heat treatment		Resistance to	
Steel grade		Proof strength	Tensile strength	Elongation <i>A</i> min		Minimum average absorbed energy KV_2 J			conditions		intergranular corrosion	
		$R_{p0,2}$ min.	R_m	($\%$)		at RT		at - 40 °C	Solution temperature ^b	Cooling in ^c	^d Method in EN ISO 3651-2	
Steel name	Steel number	MPa	MPa	l	t	l	t	t				
X2CrNiMoN22-5-3	1.4462	450	700-920	25	20	120	90	40	1 020-1 100	w, a	yes	B or C
X2CrNiN23-4	1.4362	400	600-820	25	25	120	90	40	950-1050	w, a	yes	A
X2CrNiMoN25-7-4	1.4410	550	800-1 000	20	20	100	100	40	1 040-1 120	w	yes	B or C
X2CrNiMoCuWN 25-7-4	1.4501	550	800-1 000	20	20	100	100	40	1 080-1 160	w	yes	B or C

^a l = longitudinal; t = transverse.

^b The maximum temperatures are for guidance only.

^c w = water; a = air; cooling sufficiently rapid.

^d When tested according to EN ISO 3651-2 (Appropriate method, A or B or C, as indicated) up to 250 °C.

Table 8 – Minimum proof strength $R_{p0,2}$ and $R_{p1,0}$ at elevated temperatures for wall thicknesses up to 60 mm^a of austenitic steels in the solution annealed condition (+AT) and guideline for the limit temperature for intergranular corrosion

Steel grade		$R_{p0,2}$, min MPa at a temperature (°C) of											$R_{p1,0}$, min MPa at a temperature (°C) of											Limit temp. ^b
Steel name	Steel number	50	100	150	200	250	300	350	400	450	500	550	50	100	150	200	250	300	350	400	450	500	550	°C
X2CrNi18-9	1.4307	165	147	132	118	108	100	94	89	85	81	80	200	181	162	147	137	127	121	116	112	109	108	350
X2CrNi19-11	1.4306	165	147	132	118	108	100	94	89	85	81	80	200	181	162	147	137	127	121	116	112	109	108	350
X2CrNiN18-10	1.4311	255	205	175	157	145	136	130	125	121	119	118	282	240	210	187	175	167	161	156	152	149	147	400
X5CrNi18-10	1.4301	180	157	142	127	118	110	104	98	95	92	90	218	191	172	157	145	135	129	125	122	120	120	300
X6CrNiTi18-10	1.4541	190	176	167	157	147	136	130	125	121	119	118	222	208	196	186	177	167	161	156	152	149	147	400
X6CrNiNb18-10	1.4550	195	177	167	157	147	136	130	125	121	119	118	232	211	196	186	177	167	161	156	152	149	147	400
X2CrNiMo17-12-2	1.4404	182	166	152	137	127	118	113	108	103	100	98	217	199	181	167	157	145	139	135	130	128	127	400
X5CrNiMo17-12-2	1.4401	193	177	162	147	137	127	120	115	112	110	108	230	211	191	177	167	156	150	144	141	139	137	300
X6CrNiMoTi17-12-2	1.4571	202	185	177	167	157	145	140	135	131	129	127	232	218	206	196	186	175	169	164	160	158	157	400
X2 CrNiMo 17-12-3	1.4432	182	166	152	137	127	118	113	108	103	100	98	217	199	181	167	157	145	139	135	130	128	127	400
X2CrNiMoN17-13-3	1.4429	260	211	185	167	155	145	140	135	131	129	127	290	246	218	198	183	175	169	164	160	158	157	400
X3CrNiMo17-13-3	1.4436	195	177	162	147	137	127	120	115	112	110	108	228	211	191	177	167	156	150	144	141	139	137	300
X2CrNiMo18-14-3	1.4435	180	165	150	137	127	119	113	108	103	100	98	217	200	180	165	153	145	139	135	130	128	127	400
X2CrNiMoN17-13-5	1.4439	260	225	200	185	175	165	155	150	-	-	-	290	255	230	210	200	190	180	175	-	-	-	400
X2CrNiMo18-15-4	1.4438	200	172	157	147	137	127	120	115	112	110	108	232	206	188	177	167	156	148	144	140	138	136	400
X1NiCrMoCu31-27-24	1.4563	210	190	175	160	155	150	145	135	125	120	115	240	220	205	190	185	180	175	165	155	150	145	400
X1NiCrMoCu25-20-5	1.4539	216	205	190	175	160	145	135	125	115	110	105	244	235	220	205	190	175	165	155	145	140	135	400
X1CrNiMoCuN20-18-7	1.4547	267	230	205	190	180	170	165	160	153	148	-	306	270	245	225	212	200	195	190	184	180	-	400
X1NiCrMoCuN25-20-7	1.4529	270	230	210	190	180	170	165	160	130	120	105	310	270	245	225	215	205	195	190	160	150	135	400

^a For wall thicknesses greater than 60 mm the proof strength values are subject to agreement at the time of enquiry and order. **Option 10:** Agreed proof strength values at elevated temperature for wall thicknesses greater than 60 mm apply.

^b Up to these temperatures, the material should, within 100 000 h, not have changed so as to show susceptibility to intergranular corrosion, when tested in conformity with EN ISO 3651-2. See also Table 6.

Table 9 – Minimum proof strength $R_{p0,2}$ at elevated temperatures for wall thicknesses up to 30 mm of austenitic-ferritic steels in the solution annealed condition (+AT) and guideline for the limit temperature for intergranular corrosion

Steel grade		$R_{p0,2}$ min MPa				
		Temperature °C				
Steel name	Steel number	50	100	150	200	250 ^a
X2CrNiMoN22-5-3	1.4462	415	360	335	310	295
X2CrNiN23-4	1.4362	370	330	300	280	265
X2CrNiMoN25-7-4	1.4410	502	450	420	400	380
X2CrNiMoCuWN25-7-4	1.4501	502	450	420	400	380

^a Up to this temperature, the material should, within 100 000 h, not have changed so as to show susceptibility to intergranular corrosion, when tested in conformity with EN ISO 3651-2. See also Table 7.

8.4 Corrosion resistance

The information given in Tables 6 and 7 refers to the resistance of the steels to intergranular corrosion when tested according to EN ISO 3651-2 to the indicated method A or B or C. Guideline values for the limit temperature for susceptibility to intergranular corrosion are indicated in Tables 8 and 9.

Option 13: A test for the resistance to intergranular corrosion shall be carried out.

If other specific corrosion tests are required, they shall be agreed at the time of enquiry and order.

8.5 Appearance and internal soundness

8.5.1 Appearance

8.5.1.1 The tubes shall be free from external and internal surface defects that can be established by visual inspection.

8.5.1.2 The internal and external surface finish of the tubes shall be typical of the manufacturing process and, where applicable, the heat treatment employed. Normally the finish and surface condition shall be such that any surface imperfections requiring dressing can be identified.

8.5.1.3 It shall be permissible to dress, only by grinding or machining, surface imperfections provided that, after doing so, the wall thickness in the dressed area is not less than the specified minimum thickness. All dressed areas shall blend smoothly into the contour of the tube.

8.5.1.4 Surface imperfections which encroach on the specified minimum wall thickness shall be considered defects and tubes containing these shall be deemed not to conform to this Part of EN 10217.

8.5.1.5 Repairs to the weld are permitted. Any repairs shall be carried out by qualified welders according to a qualified welding procedure specification and all repaired areas shall be non-destructively tested according to 11.11. For tubes welded with or without filler metal, weld repair may be made with the addition of compatible filler metal.

Option 14: Repair welding is only permitted with the agreement of the purchaser. The content of the repair including the relevant documentation (see 7.2.2) shall be agreed.

8.5.2 Internal soundness

8.5.2.1 General

The weld area shall be free from cracks, lack of fusion and lack of penetration.

8.5.2.2 Leak-tightness

The tubes shall pass a hydrostatic test (see 11.8.1) or eddy current test (see 11.8.2) or a test according to another agreed method, to verify leak-tightness.

Unless Option 15 is specified, the choice of the test method is at the discretion of the manufacturer.

Option 15: *The test method for verification of leak-tightness according to 11.8.1 or 11.8.2 is specified by the purchaser.*

8.5.2.3 Non-destructive testing

The full length of the weld seam of tubes shall be submitted to a non-destructive testing for the detection of imperfections according to 11.11.1.

Option 16: *The tubes of test category 2 shall be submitted to a non-destructive testing for the detection of laminar imperfections at the tube ends according to 11.11.2.*

Option 17: *The edges of strip or plate used for the manufacture of tubes of test category 2 shall be submitted to a non-destructive testing for the detection of laminar imperfections according to 11.11.3.*

All NDT activities shall be carried out by qualified and competent level 1,2 and/or 3 personnel authorised to operate by the employer.

The qualification shall be according to ISO 11484 or, at least, an equivalent to it.

It is recommended that the level 3 personnel be certified according to EN ISO 9712 or, at least, an equivalent to it.

The operating authorisation issued by the employer shall be according to a written procedure.

All NDT operations shall be authorised by a level 3 NDT individual approved by the employer.

NOTE The definition of level 1,2 and 3 can be found in appropriate standards, e.g. EN ISO 9712 and ISO 11484.

When tubes are being used for pressure equipment in categories III and IV, of the Directive 97/23/EC, the personnel shall, according to section 3.1.3 of Annex I to the Directive, be approved by a third-party organization recognized by a Member State in accordance with Article 13 of the Directive.

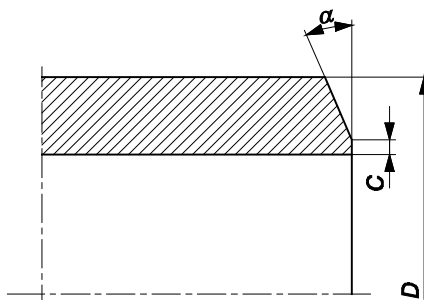
8.6 Straightness

The deviation from straightness of any tube length L shall not exceed $0,0015 L$. Deviations from straightness over any one meter length shall not exceed 3 mm.

8.7 Preparation of ends

Tubes shall be delivered with square cut ends. The ends shall be free from excessive burrs.

Option 18: *Tubes with wall thickness $\geq 3,2$ mm shall be delivered with bevelled ends (see Figure 1). The bevel shall have an angle α of $30^\circ \begin{smallmatrix} +5^\circ \\ 0 \end{smallmatrix}$ with a root face C of $1,6 \text{ mm} \pm 0,8 \text{ mm}$, except that for wall thickness greater than 20 mm, an agreed alternative bevel may be specified.*



Key

- D outside diameter
- α bevel angle
- C root face of bevelled end

Figure 1 — Tube end bevel

8.8 Dimensions, masses and tolerances

8.8.1 Outside diameter and wall thickness

Tubes shall be ordered by outside diameter D and wall thickness T . Preferred outside diameters D and wall thicknesses T are given in EN ISO 1127.

8.8.2 Mass

For the calculation of mass per unit length the density values given in EN 10088-1 shall be used.

8.8.3 Lengths

Unless Option 19 is specified, the tubes may be delivered in random lengths. The delivery range shall be agreed at the time of enquiry and order.

Option 19: The tubes shall be delivered in exact lengths and the length shall be specified at the time of enquiry and order. The tolerances on these lengths shall conform to 8.8.4.4.

8.8.4 Tolerances

8.8.4.1 Tolerance on outside diameter and on wall thickness

The diameter and the wall thickness of the tubes shall be within the relevant tolerance limits given in Table 10. Tolerance classes are according to EN ISO 1127.

Table 10 - Tolerances on outside diameter and wall thickness

Outside diameter D mm	Tolerance on outside diameter (D)		Tolerance on wall thickness T	
	Tolerance class	Permissible deviation	Tolerance class	Permissible deviation
$D \leq 168,3$	D3	$\pm 0,75$ % or $\pm 0,3$ mm whichever is the greater	T3	± 10 % or $\pm 0,2$ mm whichever is the greater
	D4 ^a	$\pm 0,5$ % or $\pm 0,1$ mm whichever is the greater		
$D > 168,3$	D2	$\pm 1,0$ %		

^a **Option 20:** Tolerance class D4 is specified.

8.8.4.2 Height of the weld seam

The height of the external and internal weld seam shall be within the limits indicated in Table 11.

Table 11 - Maximum height of the weld seam

Dimensions in millimetres

Route (according to Table 1)	Weld condition	Maximum height of the weld seam	
		$T \leq 8$	$T > 8$
01 and 04	As welded	$0,10 T + 0,5$	$T/6$
02 and 05	Welded, outside ground for $D \leq 114,3$	$0,06 T + 0,3$	---
	Welded, outside ground for $D > 114,3$	$0,05 T + 0,5$	$T/10$
03 and 05	Welded, bead worked	0,15	---

8.8.4.3 Radial offset of plate or strip edges at the weld

The radial offset of the abutting plate or strip edges shall be within 10 % of the specified wall thickness.

8.8.4.4 Tolerances on exact lengths

The tolerances for exact lengths shall be as given in Table 12.

Table 12 - Tolerances on exact lengths

Length L (mm)	Tolerance on exact length (mm)
$L \leq 6\ 000$	+ 5 0
$6\ 000 < L \leq 12\ 000$	+ 10 0
$L > 12\ 000$	+ by agreement 0

8.8.4.5 Out of roundness

The out-of-roundness (O) shall be calculated using the following formula:

$$O = \frac{D_{\max} - D_{\min}}{D} \times 100 \quad (1)$$

where:

O out-of-roundness, in %;

D_{\max}, D_{\min} maximum and minimum outside diameter, measured in the same plane, in mm;

D specified outside diameter, in mm.

For tubes of outside diameter $D \leq 406,4$ mm, out-of-roundness, shall be included in the limits of the diameter tolerances.

For tubes of outside diameter $D > 406,4$ mm and with $D/T \leq 100$, out-of-roundness shall not exceed 2 %.

For tubes with a D/T ratio > 100 the values for out-of-roundness shall be agreed at the time of enquiry and order.

9 Inspection

9.1 Type of inspection

Conformity to the requirements of the order, for tubes according to this Part of EN 10217, shall be verified by specific inspection.

When an inspection document 3.1 is specified, the material manufacturer shall state in the confirmation of the order whether they are operating according to a “quality-assurance system”, certified by a Competent Body established within the Community, and having undergone a specific assessment for materials and processes relevant to manufacture of welded tubes, including welding procedure approvals, welder/weld operator approval and NDT operator approval.

NOTE See the EU Directive 97/23/EC, Annex I, section 4.3 third paragraph and for further information the Guidelines of the EU Commission and the Member States for its interpretation (see e.g. Guidelines 7/2 and 7/16).

9.2 Inspection documents

9.2.1 Types of inspection documents

Unless option 21 is specified, an inspection certificate 3.1, according to EN 10204, shall be issued.

Option 21: *An inspection certificate 3.2 according to EN 10204 shall be issued.*

If an inspection certificate 3.2 is specified, the purchaser shall notify the manufacturer of the name and address of the organization or person who is to carry out the inspection and produce the inspection document.

In the case of the inspection certificate 3.2 it shall be agreed which party shall issue the certificate.

Document 3.1 shall be validated by manufacturer and the document 3.2 by the manufacturer and the authorized representative.

9.2.2 Content of inspection documents

The content of the inspection documents shall be according to EN 10168.

In all types of inspection documents a statement on the conformity of the products delivered with the requirements of the specification and the order shall be included.

The inspection certificate shall contain the following codes and information:

- A commercial transactions and parties involved;
- B description of products to which the inspection document applies;
- C01-C03 location of the samples and direction of the test pieces and testing temperature;
- C10-C13 tensile test;
- C40-C43 impact test if applicable;
- C60-C69 other tests (e.g. flattening);
- C71-C92 chemical composition on cast analysis (product analysis if applicable);
- D01 marking and identification, surface appearance, shape and dimensional properties;
- D02-D99 statement confirming that leak tightness test and NDT of the weld seam has been carried out, and the test results are satisfactory;

- Reference to welding procedure approval;
- Reference to welder and or welding operator approval;
- Reference to non-destructive testing operators approval;
- Z validation.

In addition for inspection document 3.1 the manufacturer shall state the references to the certificate (see 9.1) of the appropriate "quality-assurance system", if applicable.

9.3 Summary of inspection and verification testing

The tubes shall be inspected and tested according to test category 1 or test category 2 as specified at the time of enquiry and order (see 6.1).

Inspection and testing shall be carried out as stated in Table 13.

10 Sampling

10.1 Test unit

A test unit shall comprise tubes of the same specified diameter and wall thickness, the same steel grade, the same cast, the same manufacturing process, subjected to the same finishing treatment in a continuous furnace or heat treated in the same furnace charge in a batch-type furnace. The number of tubes, in random manufacturing lengths¹⁾ per test unit shall be max 100 with a total length of max. 1 800 m whichever is the lesser.

1) The random manufacturing lengths may differ from the delivery length (see 8.8.3)

Table 13 - Summary of inspection and testing

Type of inspection and test		Frequency of testing		Refer to	Testing standard	
		Test category 1	Test category 2			
Mandatory tests	Cast analysis	one per cast	one per cast	11.1		
	Tensile test at room temperature	one per test unit	two per test unit	11.2.1	EN ISO 6892-1	
	Flattening test ^a or Ring tensile test ^a or Drift expanding test ^a or Ring expanding test ^a or Weld bend test	one per test unit	each tube ^c	11.4.2 11.4.3 11.4.4 11.4.5 11.5	EN ISO 8492 EN ISO 8496 EN ISO 8493 EN ISO 8495 EN ISO 5173	
	Leak tightness test			11.8	EN ISO 10893-1	
	Dimensional inspection			11.9		
	Visual examination			11.10		
	NDT of the weld seam ^b a) Eddy current b) Ultrasonic test c) Radiographic test d) Digital radiographic testing			each tube	each tube	11.11
	Material identification			11.12		
	Optional tests	Product analysis (Option 6)	one per cast	one per cast	11.1	
		Tensile test at elevated temperature (Option 11)	as agreed upon or one per cast and same heat treatment condition	as agreed upon or one per cast and same heat treatment condition	11.2.2	EN ISO 6892-2
Tensile test of the weld (Option 22)		11.3			EN ISO 6892-1	
Impact test at room temperature (Option 8)		11.6			EN ISO 148-1	
Impact test at low temperature (Option 12)		11.6			EN ISO 148-1	
Intergranular corrosion test (Option 13)		11.7			EN ISO 3651-2	
Wall thickness measurement away from tube ends (Option 24)		each tube	each tube	11.9		
Ultrasonic testing of strip and plate edges for detection of laminar imperfections (Option 17)		-		11.11	EN ISO 10893-9	
Ultrasonic testing for laminar imperfections (Option 16)		-		11.11	EN ISO 10893-8	

a Testing method is at the manufacturer's discretion, in accordance with Table 14.

b Testing method is at the manufacturer's discretion, but see footnote a to Table 16.

c For continuously welded tubes, one test from one end of each manufacturing length (maximum 18 m)

10.2 Preparation of samples and test pieces

10.2.1 Selection and preparation of samples for product analysis

Samples for product analysis shall be taken from the test pieces or samples for mechanical testing or from the whole thickness of the tube at the same location as for the mechanical test samples, according to EN ISO 14284.

10.2.2 Location, orientation and preparation of samples and test pieces for mechanical tests

10.2.2.1 General

Samples and test pieces shall be taken at the tube ends and according to EN ISO 377.

10.2.2.2 Test pieces for the tensile test of the base material

The test pieces for the tensile test of the base material at room temperature shall be prepared according to EN ISO 6892-1. The test pieces for the tensile test of the base material at elevated temperature shall be prepared according to EN ISO 6892-2.

At the manufacturer's discretion:

- for tubes with an outside diameter $D \leq 219,1$ mm, the test piece shall be either a full tube section or a strip section and be taken in a direction longitudinal to the axis of the tube;
- for tubes with an outside diameter $D > 219,1$ mm and ≤ 508 mm, the test piece shall be taken in a direction either transverse, where possible, or longitudinal to the axis of the tube. The test piece shall be either a flattened strip or an unflattened and machined round bar specimen;
- for tubes with an outside diameter $D > 508$ mm the test piece shall be taken in a direction transverse to the axis of the tube;

Strip sections and round bar specimens shall be taken from the side opposite the weld.

10.2.2.3 Test pieces for the tensile test of the weld

The test piece for the tensile test of the weld shall be taken transverse to the weld with the weld at the centre of the test piece. The test piece shall be a strip section with the full thickness of the tube and may be flattened; the weld bead may be removed.

Option 22: For tubes with an outside diameter greater than 219,1 mm a transverse tensile test on the weld is carried out.

10.2.2.4 Test pieces for the flattening, ring tensile, drift expanding and ring expanding tests

The test piece for the flattening, ring tensile, drift expanding and ring expanding tests shall consist of a full tube section according to EN ISO 8492, EN ISO 8496 or EN ISO 8493 or EN ISO 8495 respectively.

10.2.2.5 Test pieces for weld bend test

The test pieces for the weld bend test at the root and face shall be taken and prepared according to EN ISO 5173.

10.2.2.6 Test pieces for the impact test

Three standard Charpy V-notch test pieces shall be prepared according to EN ISO 148-1. If the nominal product thickness is such that standard test pieces cannot be produced without flattening of the section, then test pieces of width less than 10 mm, but not less than 5 mm shall be prepared; the largest obtainable width shall be used.

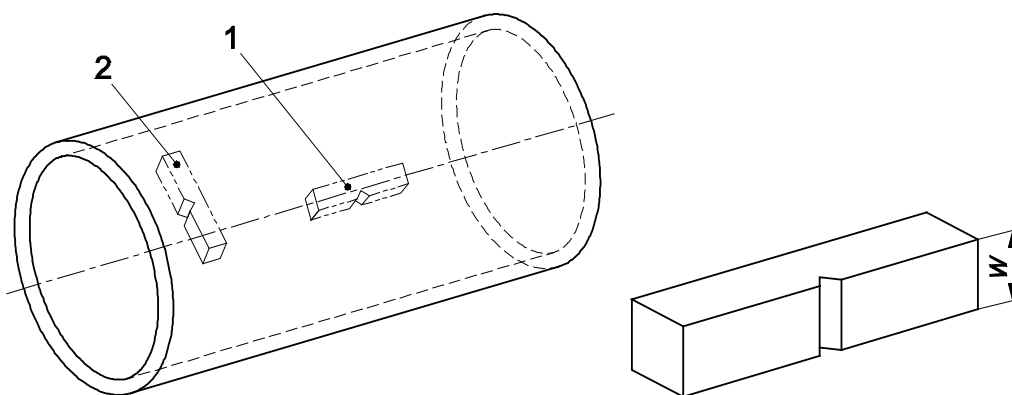
Where test pieces of at least 5 mm width cannot be obtained, the tubes shall not be subjected to impact testing.

The test pieces shall be taken transverse to the tube axis unless D_{\min} , as calculated by the following formula, is greater than the specified outside diameter, in which case longitudinal test pieces shall be used:

$$D_{\min} = (T-5) + [756,25 / (T-5)]$$

For the location of the test pieces see 8.3, Options 8 and 12.

The test pieces shall be taken and prepared such that the axis of the notch is perpendicular to the surface of the tube, see Figure 2.



Key

- 1 longitudinal test piece
- 2 transverse test piece
- W* width of test piece

Notch oriented perpendicular to tube axis

Figure 2 — Impact test piece orientation

10.2.2.7 Test pieces for the intergranular corrosion test

The test piece for the intergranular corrosion test shall be taken according to EN ISO 3651-2.

11 Verification test methods

11.1 Chemical analysis

The elements to be determined and reported shall be those specified in Tables 3 and 4. The choice of a suitable physical or chemical analytical method for the analysis shall be at the discretion of the manufacturer. In case of dispute the method used shall be agreed between manufacturer and purchaser taking into account CEN/TR 10261.

11.2 Tensile test on the base material

11.2.1 At room temperature

The test shall be carried out at room temperature according to EN ISO 6892-1, and the following determined:

- the tensile strength (R_m);
- the 0,2 % proof strength ($R_{p0,2}$) and, where applicable, the 1,0 % proof strength ($R_{p1,0}$);
- the percentage elongation after fracture with a reference to a gauge length (L_0) of $5,65 \sqrt{S_0}$; if a non-proportional test piece is used, the percentage elongation value shall be converted to the value for a gauge length $L_0 = 5,65 \sqrt{S_0}$ using the conversion Tables given in EN ISO 2566-2.

11.2.2 At elevated temperature

The test shall be carried out in accordance with EN ISO 6892-2 at the temperature agreed at the time of enquiry and order (see 6.2) and the 0,2 % proof strength ($R_{p0,2}$) and, where applicable, the 1,0 % proof strength ($R_{p1,0}$) shall be determined.

11.3 Transverse tensile test on the weld

The test shall be carried out in accordance with EN ISO 6892-1 at room temperature and the 0,2 % proof strength ($R_{p0,2}$) shall be determined.

11.4 Technological tests

11.4.1 General

Depending on the tube dimensions one of the tests given in Table 14 shall be carried out.

Table 14 – Technological tests

Outside diameter D	Wall thickness T mm				
	mm	< 2	$\geq 2 \leq 16$	> 16 \leq 40	> 40
≤ 18	Flattening test ^{a, b}	Flattening test ^{a, b}	---	---	---
$18 < D \leq 150$	Flattening test ^{a, b}	Ring expanding test ^b	Flattening test ^{a, d}	---	---
>150	Ring tensile test ^c	Ring tensile test ^{c, d}	Ring tensile test ^{c, d}	Flattening test ^{a, d, e}	---

^a Weld alternatively in the horizontal position (3 o'clock position) or vertical position (12 o'clock position).
^b This test may, at the discretion of the manufacturer, be replaced by drift expanding test.
^c This test may, at the discretion of the manufacturer, be replaced by flattening test.
^d This test may, at the discretion of the manufacturer, be replaced by weld bend test.
^e This test may, at the discretion of the manufacturer, be replaced by non-destructive testing of both tube ends as described in 11.11.2 - Option 16.

11.4.2 Flattening test

The test shall be carried out according to EN ISO 8492.

The tube section shall be flattened in a press until the distance H between the platens reaches the value given by the following formula:

$$H = \frac{1 + C}{C + T/D} \times T \quad (3)$$

where:

H is the distance between platens, in mm, to be measured under load;

D is the specified outside diameter, in mm;

T is the specified wall thickness, in mm;

C is the deformation factor, which is 0,07 for austenitic-ferritic steel and 0,09 for austenitic steel.

After testing, the test piece shall be free from cracks or breaks. However, slight incipient cracks at its edges shall not be regarded as justification for rejection.

11.4.3 Ring tensile test

The test shall be carried out according to EN ISO 8496.

The tube section shall be subjected to strain in the circumferential direction until fracture occurs.

After fracture the test pieces shall not show any visible cracks without the use of magnifying aids (excluding the fracture point).

11.4.4 Drift expanding test

The test shall only be carried out for tubes having an outside diameter $D < 150$ mm and a wall thickness $T < 10$ mm.

The test shall be carried out according to EN ISO 8493.

The tube section shall be expanded with a 60° conical tool until the % increase in outside diameter D shown in Table 15 is reached.

After testing, the test piece shall excluding the fracture point be free from cracks or breaks. However, slight incipient cracks at its edges shall not be regarded as justification for rejection.

Table 15 - Drift expanding test requirements

% increase in outside diameter for d/D^a		
$\leq 0,6$	$> 0,6$ $\leq 0,8$	$> 0,8$
9	15	17
a $d = D - 2T$		

11.4.5 Ring expanding test

The test shall be carried out according to EN ISO 8495.

The tube section shall be expanded with a conical tool until it breaks. If an expansion of 40 % of the inside diameter for austenitic steel and of 30 % for austenitic-ferritic steel is reached the test may be considered as finished.

The surface outside the fracture zone shall excluding the fracture point be free from cracks or breaks. However, slight incipient cracks at its edges shall not be regarded as justification for rejection.

11.5 Weld bend test

The test shall be carried out according to EN ISO 5173 using a mandrel of a diameter of 3T. After testing the test piece shall show no cracks or flaws but slight premature failure at its edges shall not be regarded as a justification for rejection.

11.6 Impact test

11.6.1 If agreed at the time of enquiry and order the impact test shall be carried out according to EN ISO 148-1 using a 2 mm striker at the temperature specified (see 6.2, option 8 or 12)

11.6.2 The mean value of the three standard Charpy V notch test pieces shall meet the requirements given in Table 6 or Table 7. One individual value may be below the specified value, provided that it is not less than 70 % of that value.

11.6.3 If the width (W) of the test piece is less than 10 mm, the measured impact energy (KV_p) shall be converted to impact energy (KV_c) using the following formula:

$$KV_c = \frac{10 \times KV_p}{W} \quad (4)$$

where:

KV_c is the calculated impact energy, in J;

KV_p is the measured impact energy, in J;

W is the width of the test piece, in mm.

The calculated impact energy KV_c shall comply with the requirements given in 11.6.2.

11.6.4 If the requirements of 11.6.2 are not met, then an additional set of three standard Charpy V notch test pieces may be taken at the discretion of the manufacturer from the same sample and tested. To consider the test unit as conforming, after testing the second set, the following conditions shall be satisfied simultaneously:

- the average value of six tests shall be equal to or greater than the specified minimum average value;
- not more than two of six individual values may be lower than the specified minimum average value;
- not more than one of the six individual values may be lower than 70 % of the specified minimum average value.

11.6.5 The dimensions in millimetres of test pieces, the measured impact energy values and the resulting average value shall be reported.

11.7 Intergranular corrosion test

The intergranular corrosion test shall be carried out according to EN ISO 3651-2 to the specified method (A or B or C).

11.8 Leak tightness test

11.8.1 Hydrostatic test

The hydrostatic test shall be carried out at a test pressure of 70 bar²⁾ or at a test pressure calculated using the following formula, whichever is lower:

$$P = 20 \frac{S \times T}{D} \quad (5)$$

where:

P is the test pressure, in bar;

D is the specified outside diameter, in mm;

T is the specified wall thickness, in mm;

S is the stress, in MPa, corresponding to 70 % of the specified minimum proof strength (see Tables 6 and 7) for the steel grade concerned.

The test pressure shall be held for not less than 5 s for tubes with an outside diameter $D \leq 457$ mm and for not less than 10 s for tubes with an outside diameter $D > 457$ mm.

The tube shall withstand the test without showing leakage.

NOTE This hydrostatic leak-tightness test is not a strength test.

Option 23: A test pressure different from that specified in 11.8.1 and corresponding to a stress below 90 % of the specified minimum proof strength ($R_{p0.2}$) (see Tables 6 and 7) for the steel grade concerned is specified.

11.8.2 Eddy current test

²⁾ 1 bar = 100 kPa.

The test shall be carried out according to EN ISO 10893-1.

11.9 Dimensional inspection

Specified dimensions, including straightness, shall be verified.

The outside diameter shall be measured at the tube ends. For tubes with a $D \geq 168,3$ mm, the diameter may be measured using a circumference tape.

Unless Option 24 is specified, the wall thickness shall be measured at both tube ends.

Option 24: *The wall thickness shall be measured away from the tube ends according to an agreed procedure.*

11.10 Visual examination

Tubes shall be visually examined to ensure conformity to the requirements of 8.5.1.

11.11 Non-destructive testing

11.11.1 The full length of the weld seam of tubes shall be tested in accordance with the testing method and acceptance level given in Table 16.

Table 16 - Testing method and acceptance level for non-destructive testing of weld seam

Testing method ^a	Acceptance level for	
	test category 1	test category 2
EN ISO 10893-2 ^b	E1H or E2	E1H or E2
EN ISO 10893-10	U3, sub-category C	U2, sub-category C
EN ISO 10893-11 ^c	U3	U2
EN ISO 10893-6 ^d	image class A	
EN ISO 10893-7 ^e	image class A	image class A

^a Unless Option 25 is specified, the test method used shall be at the discretion of the manufacturer.
Option 25: *The non-destructive inspection method is specified by the purchaser*

^b Only for tubes with wall thickness not greater than 6 mm.

^c For submerged arc-welded tubes.

^d **Option 26:** *The image quality class B of EN ISO 10893-6 shall be applied for the radiographic inspection of the weld seam*

^e **Option 29:** *Image quality class B as per EN ISO 10893-7 shall be valid for the digital radiographic testing of the weld*

Weld seam at the tube ends not automatically tested shall either be subjected to manual/semi-automatic ultrasonic testing according to EN ISO 10893-10 to acceptance level U3, sub-category C for test category 1 and U2, sub-category C for test category 2 or be cropped off.

11.11.2 If Option 16 (see 8.5.2.3) is specified, the tubes of test category 2 shall be submitted to an ultrasonic testing for the detection of the laminar imperfections at the tube ends according to EN ISO 10893-8.

11.11.3 If Option 17 (see 8.5.2.3) is specified, the strip/plate edges used for the manufacture of tubes of test category 2 shall be submitted to an ultrasonic testing for the detection of laminar imperfections according to EN ISO 10893-9 to acceptance level U2.

11.12 Material identification

Each tube shall be tested by an appropriate method to ensure that the correct grade is being supplied.

11.13 Retests, sorting and reprocessing

See EN 10021.

12 Marking

12.1 Marking to be applied

Depending on the size of the tubes, the following marking shall either be applied on a label attached to the bundle or the box of tubes, or be marked indelibly on each tube at least at one end.

The marking shall include the following information:

- the manufacturer's name or trade mark;
- the dimension of the tubes;
- the number of this Part of EN 10217 and the steel name (or number) and the test category TC 1 or TC 2 (see 5.2);
- the cast number or a code number;
- the mark of the inspection representative;
- an identification number (e.g. order or item/tube number) which permits the correlation of the product or delivery unit to the related document.

and at the discretion of the manufacturer:

- the symbol identifying the delivery condition (see Table 2).

Example of marking:

EXAMPLE X – 168,3 X 4,5 - EN 10217-7 — X5CrNi18-10 - TC1 - W1 - Y – Z₁ – Z₂

where

- X is the manufacturer's mark;
- TC1 is the designation of the test category 1;
- W1 is the identification of the delivery condition as welded;
- Y is the cast number or a code number;
- Z₁ is the mark of the inspection representative;
- Z₂ is the identification number.

12.2 Additional marking

Option 27: Additional marking, as agreed upon at the time of enquiry and order, shall be applied.

13 Handling and packaging

The tubes shall be protected from carbon steel strapping, which shall not come into contact with the tubes.

Option 28: A special protection, as specified at the time of enquiry and order, shall be applied.

Annex A (informative)

Technical changes from the previous edition

A.1 Introduction

This informative annex is intended to guide the user to places where significant technical changes have been introduced into the previous edition of this International Standard. Editorial changes are not included in this annex. References refer to the previous edition.

While this annex is intended to be comprehensive, users should satisfy themselves that they fully understand the changes which have been made. The user is ultimately responsible for recognising any differences between this edition and the previous edition of the document.

A.2 Technical changes

- 1 Scope
- 2 Normative references
- 6 Information to be supplied by the purchaser
 - 6.2 Options [7), 15), 21), 29)]
- 8 Requirements
 - 8.2 Chemical composition (Table 3 and Table 4)
 - 8.7 Preparation of ends
- 9 Inspections
 - 9.1 Types of inspections
 - 9.2 Inspection documents (9.2.1)
- 11 Verification test methods
 - 11.8 Leak tightness test (11.8.1)

Annex ZA (informative)

Relationship between this European Standard and the Essential Requirements of EU Directive 97/23/EC

This European standard has been prepared under a mandate given to CEN by the European Commission and the European Free Trade Association in order to support essential safety requirement(s) (ESR) of the Pressure Equipment Directive 97/23/EC by providing technical solutions for specific ESRs.

Once this standard is cited in the Official Journal of the European Union under that Directive and has been implemented as a national standard in at least one Member State, compliance with the Clauses of this standard given in Table ZA.1 confers, within the limits of the scope of this standard, a presumption of conformity with the corresponding Essential Requirements of that Directive and associated EFTA regulations.

Table ZA.1 – Correspondence between this European Standard and Directive 97/23/EC

Clauses/sub-Clauses of this EN	Pressure Equipment Directive 97/23/EC Annex I	Content
8.3	4.1a	Appropriate material properties
8.2 and 8.3.2 Table 3, Table 4 and Table 8	4.1c	Ageing
7.2 and 8.5	4.1d	Suitable for the processing procedures
9	4.3	Documentation

WARNING: Other requirements and other EU Directives may be applicable to the product(s) falling within the scope of this European Standard.

British Standards Institution (BSI)

BSI is the national body responsible for preparing British Standards and other standards-related publications, information and services.

BSI is incorporated by Royal Charter. British Standards and other standardization products are published by BSI Standards Limited.

About us

We bring together business, industry, government, consumers, innovators and others to shape their combined experience and expertise into standards-based solutions.

The knowledge embodied in our standards has been carefully assembled in a dependable format and refined through our open consultation process. Organizations of all sizes and across all sectors choose standards to help them achieve their goals.

Information on standards

We can provide you with the knowledge that your organization needs to succeed. Find out more about British Standards by visiting our website at bsigroup.com/standards or contacting our Customer Services team or Knowledge Centre.

Buying standards

You can buy and download PDF versions of BSI publications, including British and adopted European and international standards, through our website at bsigroup.com/shop, where hard copies can also be purchased.

If you need international and foreign standards from other Standards Development Organizations, hard copies can be ordered from our Customer Services team.

Subscriptions

Our range of subscription services are designed to make using standards easier for you. For further information on our subscription products go to bsigroup.com/subscriptions.

With **British Standards Online (BSOL)** you'll have instant access to over 55,000 British and adopted European and international standards from your desktop. It's available 24/7 and is refreshed daily so you'll always be up to date.

You can keep in touch with standards developments and receive substantial discounts on the purchase price of standards, both in single copy and subscription format, by becoming a **BSI Subscribing Member**.

PLUS is an updating service exclusive to BSI Subscribing Members. You will automatically receive the latest hard copy of your standards when they're revised or replaced.

To find out more about becoming a BSI Subscribing Member and the benefits of membership, please visit bsigroup.com/shop.

With a **Multi-User Network Licence (MUNL)** you are able to host standards publications on your intranet. Licences can cover as few or as many users as you wish. With updates supplied as soon as they're available, you can be sure your documentation is current. For further information, email bsmusales@bsigroup.com.

BSI Group Headquarters

389 Chiswick High Road London W4 4AL UK

Revisions

Our British Standards and other publications are updated by amendment or revision.

We continually improve the quality of our products and services to benefit your business. If you find an inaccuracy or ambiguity within a British Standard or other BSI publication please inform the Knowledge Centre.

Copyright

All the data, software and documentation set out in all British Standards and other BSI publications are the property of and copyrighted by BSI, or some person or entity that owns copyright in the information used (such as the international standardization bodies) and has formally licensed such information to BSI for commercial publication and use. Except as permitted under the Copyright, Designs and Patents Act 1988 no extract may be reproduced, stored in a retrieval system or transmitted in any form or by any means – electronic, photocopying, recording or otherwise – without prior written permission from BSI. Details and advice can be obtained from the Copyright & Licensing Department.

Useful Contacts:

Customer Services

Tel: +44 845 086 9001

Email (orders): orders@bsigroup.com

Email (enquiries): cservices@bsigroup.com

Subscriptions

Tel: +44 845 086 9001

Email: subscriptions@bsigroup.com

Knowledge Centre

Tel: +44 20 8996 7004

Email: knowledgecentre@bsigroup.com

Copyright & Licensing

Tel: +44 20 8996 7070

Email: copyright@bsigroup.com